

Feature -

with screw mount installation
wire and PCB terminal

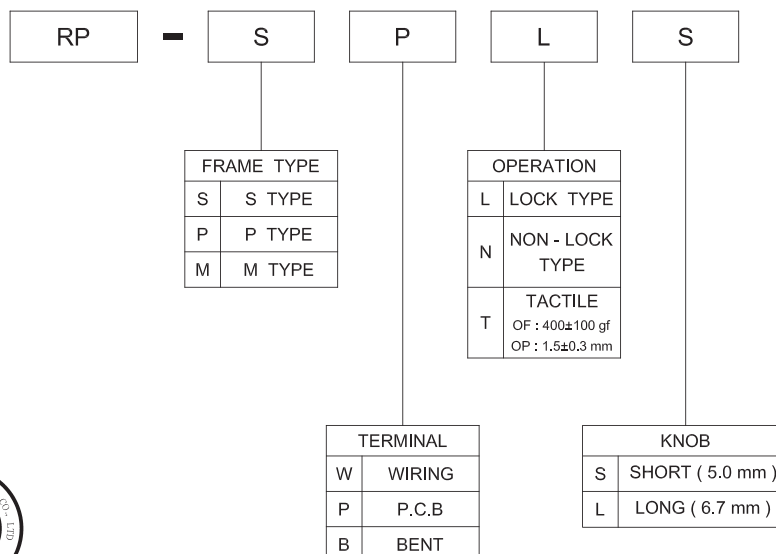
Application -


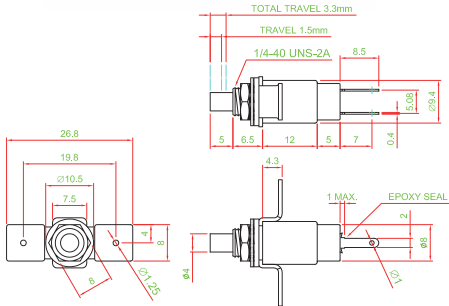

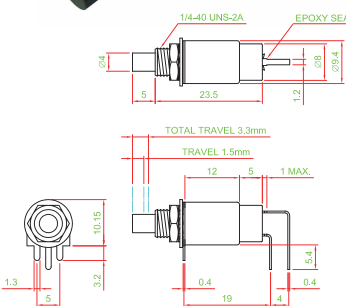

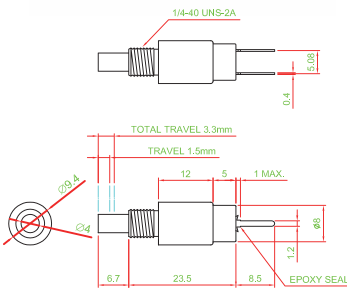
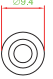
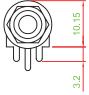
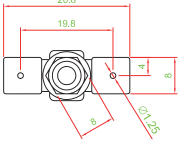

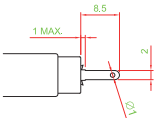
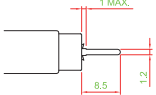
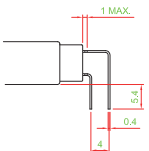

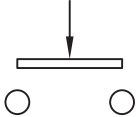
consumer products
computer products
instrumentation
communication equipments

► SPECIFICATIONS

SWITCH SPECIFICATIONS	
POLE - POSITION	SPST , Momentary and Lock Type are Available
CONTACT RATING	120 V AC or 28 V DC , 1 A
CONTACT RESISTANCE	30 mΩ MAX. 1.5 V DC ; 100 mA , by Method of Voltage DROP
INSULATION RESISTANCE	100 MΩ MIN. 500 V DC
DIELECTRIC STRENGTH	Breakdown is not Allowable ; 500 V AC for 1 Minute
OPERATING FORCE	650 ± 150 gf
OPERATING LIFE	10,000 cycles
OPERATING TEMPERATURE RANGE	-20°C ~ 70°C
TOTAL TRAVEL	3.3 ± 0.3 mm

► HOW TO ORDER



▶ DIMENSION			
<p>RP - MWNS</p>  	<p>RP - PBNS</p>  	<p>RP - SPLL</p>  	
▶ FRAME TYPE		▶ P.C.B LAYOUT	
S TYPE	P TYPE	M TYPE	
			<p>RP - □P□□</p> 
▶ TERMINAL TYPE			
W TYPE	P TYPE	B TYPE	
			<p>RP - □B□□</p> 
▶ CIRCUIT		▶ MATERIAL	
		<ul style="list-style-type: none"> ■ FRAME : BRASS NICKEL PLATED ■ ACTUATOR : POM ■ BASE FRAME : PA66 ■ TERMINAL : BRONZE SILVER PLATING 	